

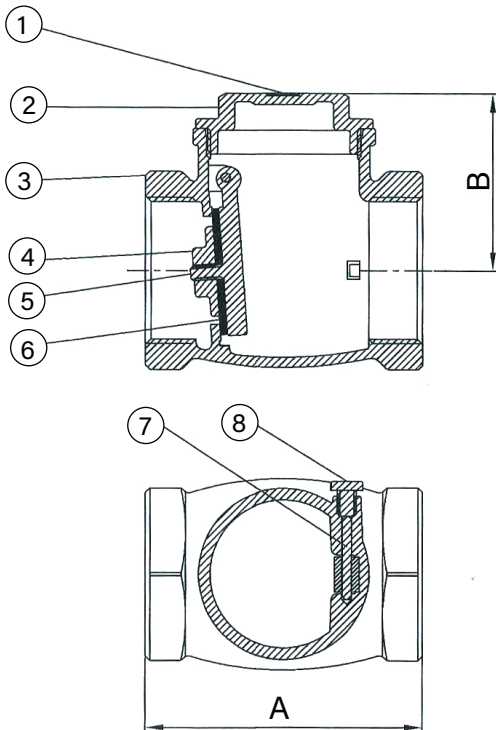
BRASS SWING CHECK VALVE

MODEL LVBSC



FEATURES:

- Full Floating Clapper Assembly
- Sizes: 1/2" IPS - 2" IPS
- Female x Female
- Rated Pressure: 200 psi
- Contains Lead. Not for use in water systems intended for human consumption



MATERIAL LIST			
NUMBER	DESCRIPTION	MATERIAL	SPEC. ASTM
1	Name Plate	Aluminum	Commercial
2	Cap	Cast Brass	B584 C85700
3	Body	Cast Brass	B584 C85700
4	Disc Nut	Brass Rod Cast Brass	B16 C3600 (1/2"-1") B584 C85700
5	Disc	Forged Brass	B124 C37700
6	Seat	NBR	
7	Hinge Pin	Brass Rod	B111 C28000
8	Plug	Brass Rod	B16 C36000

SIZE						
DIMENSIONS (in)	1/2	3/4	1	1-1/4	1-1/2	2
A	2.10	2.36	2.60	3.20	3.54	4.25
B	1.40	1.60	1.73	2.00	2.25	2.72

PROJECT	APPROVAL STAMP
PROJECT:	<input type="checkbox"/> APPROVED
ADDRESS:	<input type="checkbox"/> APPROVED AS NOTED
ENGINEER:	<input type="checkbox"/> NOT APPROVED
SUBMITTAL DATA:	REMARKS:
NOTES 1:	
NOTES 2:	