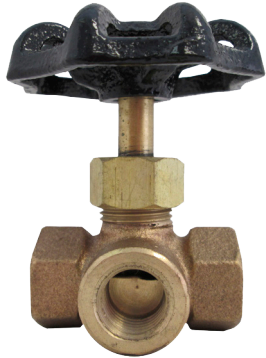


THREE WAY BRONZE VALVE

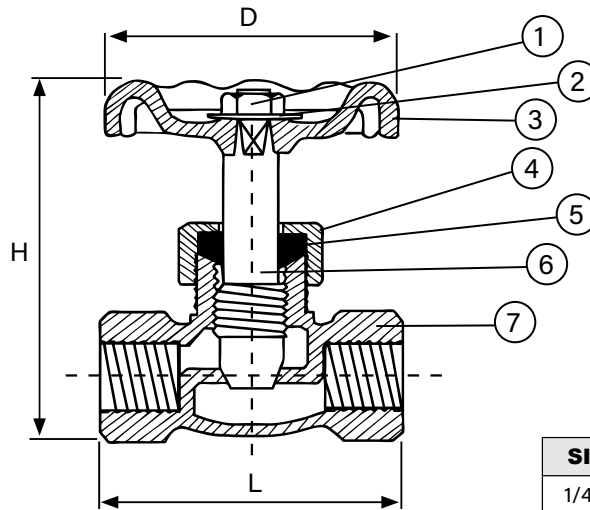
MODEL LVTWV



FEATURES:

1/4" IPS 3-Way female threaded valve, bronze body, brass seat, iron handwheel.

- **Finish:** Rough Brass
- **Working Pressure:** 300 WOG
- **Threads to ANSI 81.20.1 (NPT)**



SIZE (IN)	H	L	D
1/4" Female	1.97	1.77	2.13

MATERIAL LIST			
NUMBER	DESCRIPTION	MATERIAL	SPEC. ASTM
1	Wheel Nut	Hot Rolled	SAEE 101R
2	Name Plate	Aluminum	A1100
3	Handwheel	Cast Iron	JISZZ2202
4	Packing Nut	Brass	ASTM-UNS B16 C36000
5	Packing	Graphite	PTFE
6	Stem	Brass	B16C36000
7	Body	Bronze	B584 C84400

PROJECT	APPROVAL STAMP
PROJECT:	<input type="checkbox"/> APPROVED
ADDRESS:	<input type="checkbox"/> APPROVED AS NOTED
ENGINEER:	<input type="checkbox"/> NOT APPROVED
SUBMITTAL DATA:	REMARKS:
NOTES 1:	
NOTES 2:	