

V38, K5.6

Residential Low Flow Adjustable Concealed Pendant

V3806 QUICK RESPONSE

The V3806 concealed, designer style sprinkler allows up to 1/8" adjustment to accommodate concealment needs. The separate two-piece mounting cup/cover plate allows easy installation and testing prior to ceiling installation. It also permits removal of suspended ceiling panels without system shutdown. Model V3806 is UL Listed for use under smooth flat horizontal ceilings. The design incorporates state-of-the-art, heat responsive, frangible glass bulb design (quick response) for prompt, precise operation. The V3806 sprinkler is now available with the aesthetically pleasing flat cover plate, which also is available in various finishes to meet many design requirements.



SEE VICTAULIC PUBLICATION 10.01 FOR DETAILS



(V3806)

SPRINKLER OPERATION:

The operating mechanism is a frangible glass bulb which contains a heat responsive liquid. During a fire, the ambient temperature rises causing the liquid in the bulb to expand. When the ambient temperature reaches the rated temperature of the sprinkler, the bulb shatters.

As a result, the waterway is cleared of all sealing parts and water is discharged towards the deflector. The deflector is designed to distribute the water in a pattern that is most effective in controlling the fire.

COVERAGE:

Residential spray coverage up to 400sq.ft/37.2sq.m room sizes per NFPA.

SOCKET WRENCH

The V3806 sprinkler incorporates a new cup design which allows the sprinkler to be installed using the new V38-4 socket wrench. This wrench engages the slots in the cup instead of the sprinkler frame wrench boss. This virtually eliminates wrench slippage during installation. Because the cup is attached to the hex boss of the sprinkler frame, the cup cannot be rotated loose during installation. **Only the V38-4 socket wrench can be used to install the V3806 sprinkler.**

JOB/OWNER

System No. _____

Location _____

CONTRACTOR

Submitted By _____

Date _____

ENGINEER

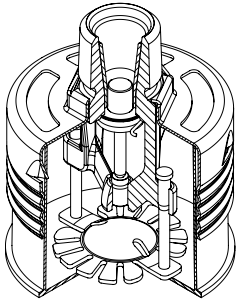
Spec Sect _____ Para _____

Approved _____

Date _____

V38, K5.6

Residential Low Flow Adjustable Concealed Pendent

V3806 QUICK RESPONSE**TECHNICAL SPECIFICATIONS:****Models:** V3806**Style:** Residential Adjustable Concealed**Nominal Orifice Size:** 1/2"/13 mm**K-Factor:** 5.6 Imp./8.1 S.I.^**Nominal Thread Size:** 1/2" NPT/15 mm**Max. Working Pressure:** 175 psi/1200 kPa**Factory Hydrostatic Test:**

100% @ 500 psi/3450 kPa

Min. Operating Pressure: 8.2psi/57 kPa**Temperature Rating:** See chart on page 3**Material Specifications****Deflector:** Bronze per UNS C22000**Cover Plate:** Fusible solder**Bulb:** Glass with glycerin solution.**Bulb Nominal Diameter:**

- Quick Response: 3.0mm

Load Screw: Bronze per UNS C65100**Pip Cap:** Bronze per UNS C65100**Cover Plate Spring:** Stainless steel per UNS S30100**Seal:** Teflon* tape**Frame:** Die cast brass 65-30**Pins:** Stainless steel per UNS S30400**Cup:** Cold rolled steel, zinc chrome plated**Cover/Escutcheon:** Plated Steel**Lodgement Spring:** Stainless steel per UNS S30200**Protective Cap:** Polyethylene**Accessories****Installation Socket Wrench:**

- Concealed: V38-4

Sprinkler Finishes:

- Plain brass (only)

Cover Finishes:

- Chrome painted
- White painted
- Flat black
- Custom painted

^ For K-Factor when pressure is measured in Bar, multiply S.I. units by 10.0.

* Teflon is a registered trademark of Dupont Co.

V38, K5.6

Residential Low Flow Adjustable Concealed Pendant

V3806 QUICK RESPONSE

APPROVALS/LISTINGS

| Model | Orifice Size | Nominal K-Factor | Response | Deflector Type | Approvals ‡ | | |
|-------|--------------|------------------|----------|-------------------|-------------|----------------|-------------------|
| | | | | | Inches mm | Imperial S.I.^ | Standard or Quick |
| V3806 | ½ 13 | 5.6 8.1 | Quick | Concealed Pendant | 155 68 | 155 68 | 155 68 |

^ For K-Factor when pressure is measured in Bar, multiply S.I. units by 10.0.

† MEA #62-99-E.

§ CSFM #7690-0531:112

RATINGS

All glass bulbs are rated for temperatures from –67°F/–55°C to those shown in table below.

| Sprinkler Temperature Classification | Victaulic Part Identification | SPRINKLER - V3806 | | | Glass Bulb Color | Victaulic Part Identification | COVER - V38 | |
|--------------------------------------|-------------------------------|----------------------------|-------------------------------------|----------------------------|------------------|-------------------------------|-------------------------------------|--|
| | | Temperature – °F/°C | | Nominal Temperature Rating | | | Maximum Ambient Temperature Allowed | |
| | | Nominal Temperature Rating | Maximum Ambient Temperature Allowed | | | | | |
| Ordinary | C | 155 68 | 100 38 | Red | A | 135 57 | 100 38 | |

ORDERING INFORMATION

Please specify the following when ordering:

| | |
|------------------------|--|
| Sprinkler Model Number | |
| Style | |
| Temperature Rating | |
| K-Factor | |
| Thread Size | |
| Quantity | |
| Cover Finish | |
| Wrench Model Number | |

V38, K5.6

Residential Low Flow Adjustable Concealed Pendent

V3806 QUICK RESPONSE



WARNING

| WARNING | |
|------------------|--------------------------------------------------------------------------------------------------------------------------------------------------------------------------------------------------------------------------------------------------------------------------------------------------------------------------------------------------------------------------------------------------------------------------------------------------------------------------------------------------------------------------------------------------------------------------------------------------------------------------------------------------------------------------------------------------------------------------------------------------------------------------------------------------------------------------------------------------------------------------------------------------------------------------------------------------------------------------------------------------------------------------------------------------------------------------------------------------------------------------------------------------------------------------------------------------------------------------------------------------------------------------------------------------------------------------------------------------------------------------------------------------------------------------------------------------------------------|
| | <ul style="list-style-type: none"> Always read and understand installation, care, and maintenance instructions, supplied with each box of sprinklers, before proceeding with installation of any sprinklers. Always wear safety glasses and foot protection. Depressurize and drain the piping system before attempting to install, remove, or adjust any Victaulic piping products. Installation rules, especially those governing obstruction, must be strictly followed. Painting, plating, or any re-coating of sprinklers (other than that supplied by Victaulic) is not allowed. <p>Failure to follow these instructions could result in serious personal injury and/or property damage.</p> <p>The owner is responsible for maintaining the fire protection system and devices in proper operating condition. For minimum maintenance and inspection requirements, refer to the current National Fire Protection Association pamphlet that describes care and maintenance of sprinkler systems. In addition, the authority having jurisdiction may have additional maintenance, testing, and inspection requirements that must be followed.</p> <p>If you need additional copies of this publication, or if you have any questions about the safe installation of this product, contact Victaulic World Headquarters: P.O. Box 31, Easton, Pennsylvania 18044-0031 USA, Telephone: 001-610-559-3300.</p> |

AVAILABLE WRENCHES

| | Socket Wrench |
|-------|---------------|
| V3806 | V38-4 * |

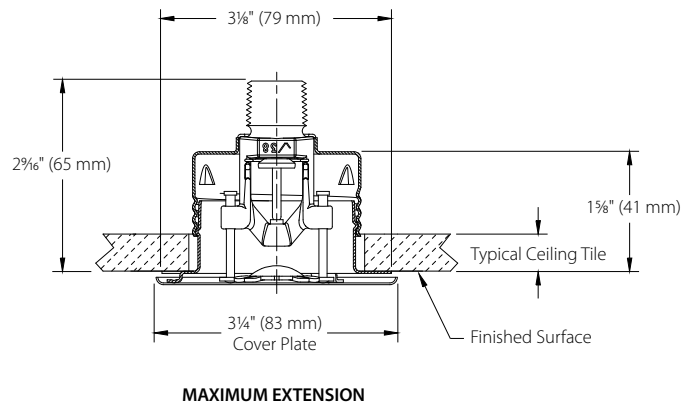
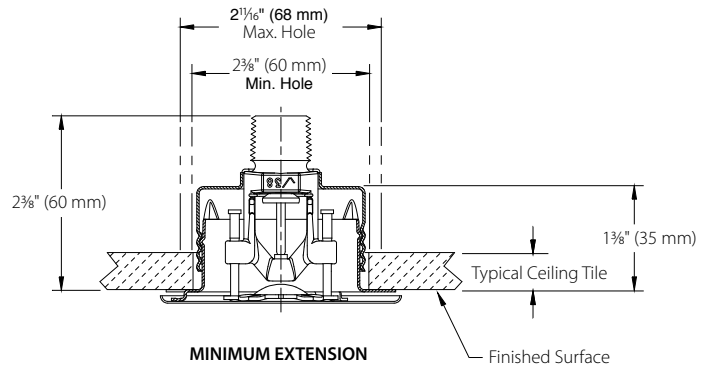
* The V38-3 recessed wrench CANNOT be used to install the V3806 sprinklers. Only the V38-4 socket wrench will engage properly

V38, K5.6

Residential Low Flow Adjustable Concealed Pendant

V3806 QUICK RESPONSE

DIMENSIONS



ROOM SIZE

Victaulic V3806, 5.6 K-Factor Concealed Pendant Sprinkler
For Ceiling types refer to NFPA 13, 13R or 13D 2013 Editions

| Max. Coverage Area ^(a) | Ordinary Temp Rating 155°F/68°C | | Intermediate Temp Rating 175°F/79°C | | Deflector to Ceiling | Installation Type | Minimum Spacing |
|-----------------------------------|-------------------------------------|---------------------------------------|----------------------------------------|---------------------------------------|----------------------|---------------------------------------------------------|-----------------|
| | Flow ^(b) GPM L/min | Pressure ^(b) PSI bar | Flow ^(b) GPM L/min | Pressure ^(b) PSI bar | | | |
| 12 X 12 3.7 X 3.7 | 16 60.6 | 8.2 0.57 | N/A | N/A | N/A | Concealed Sprinkler using Model V38 Coverplate Assembly | 8.0 2.4 |
| 14 X 14 4.3 X 4.3 | 16 60.6 | 8.2 0.57 | N/A | N/A | | | |
| 16 X 16 4.9 X 4.9 | 16 60.6 | 8.2 0.57 | N/A | N/A | | | |
| 18 X 18 5.5 X 5.5 | 21 79.5 | 14.1 0.97 | N/A | N/A | | | |
| 20 X 20 6.1 X 6.1 | 25 94.6 | 20.0 1.38 | N/A | N/A | | | |

(a) For coverage area dimensions less than or between those indicated, use the minimum required flow for the next highest coverage area for which hydraulic design criteria are stated.

(b) For NFPA 13 residential applications, the greater of 0.1gpm/ft² over the design area of the flow in accordance with the criteria in the table must be used.

V38, K5.6

Residential Low Flow Adjustable Concealed Pendent

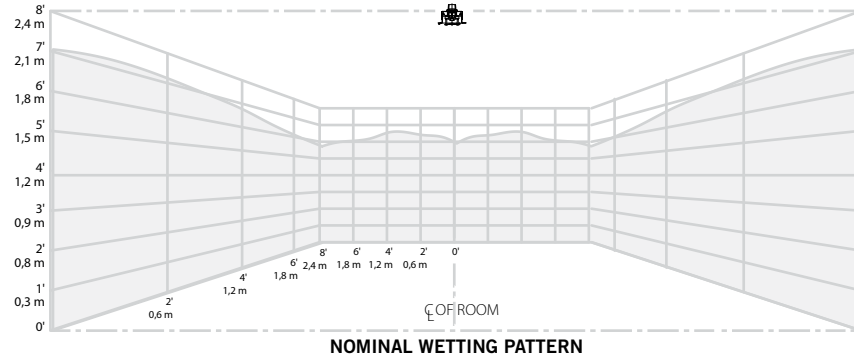
V3806 QUICK RESPONSE

NOMINAL WETTING PATTERNS

Model V3806

K5.6 Residential Concealed

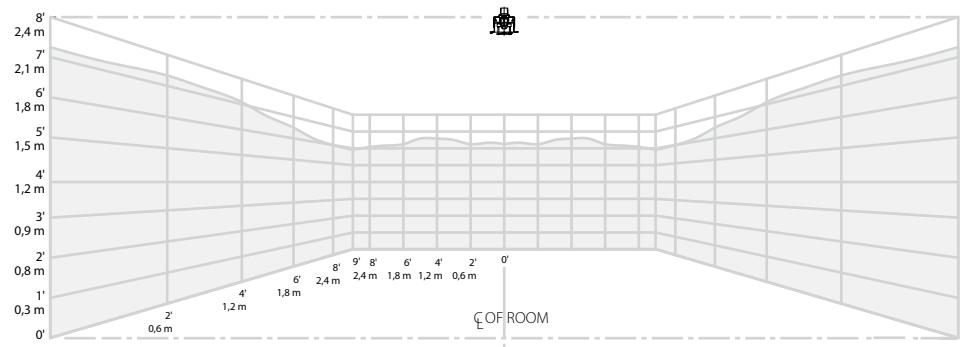
16 GPM/60.5 LPM – 16' x 16'/4.9 x 4.9m coverage area



Model V3806

K5.6 Residential Concealed

21 GPM/79.4 LPM – 18' x 18'/5.5 x 5.5m coverage area

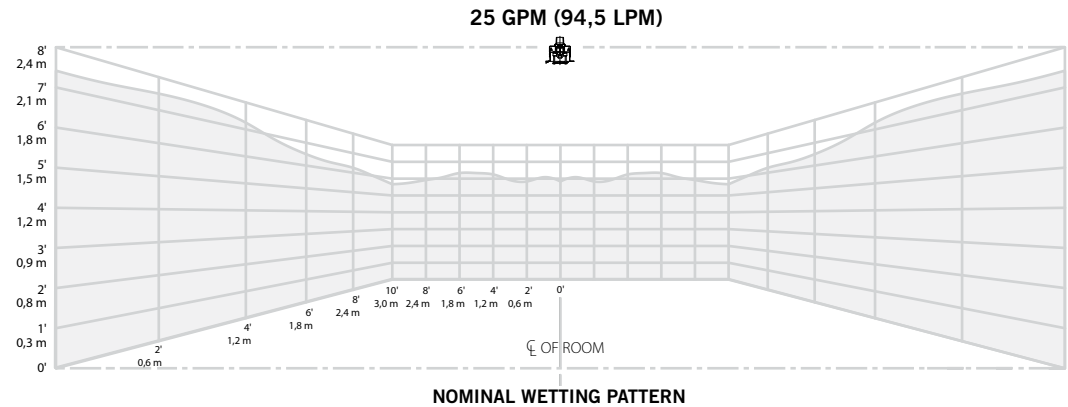


V38, K5.6

Residential Low Flow Adjustable Concealed Pendent

V3806 QUICK RESPONSE**Model V3806****K5.6 Residential Concealed**

25 GPM/94.5 LPM – 20' x 20'/6.1 x 6.1m coverage area

**NOTES:**

- 1 Data shown is approximate and can vary due to differences in installation.
- 2 These graphs illustrate approximate wall-wetting patterns for these specific Victaulic FireLock Automatic Sprinklers. They are provided as information for guidance and should not be used as minimum sprinkler spacing rules for installation. Sprinkler location shall be in accordance with the obstruction rules for residential sprinklers in NFPA 13 (2002 or later revision). Failure to follow these guidelines could adversely affect the performance of the sprinkler and will void all Listings, Approvals and Warranties.
- 3 All patterns are symmetrical to waterway.

V38, K5.6

Residential Low Flow Adjustable Concealed Pendent

V3806 QUICK RESPONSE

WARRANTY

Refer to the Warranty section of the current Price List or contact Victaulic for details.

NOTE

This product shall be manufactured by Victaulic or to Victaulic specifications. All products to be installed in accordance with current Victaulic installation/assembly instructions. Victaulic reserves the right to change product specifications, designs and standard equipment without notice and without incurring obligations.

For complete contact information, visit www.victaulic.com

40.43 3607 REV E UPDATED 04/2013

VICTAULIC IS A REGISTERED TRADEMARK OF VICTAULIC COMPANY. © 2013 VICTAULIC COMPANY. ALL RIGHTS RESERVED.

40.43

