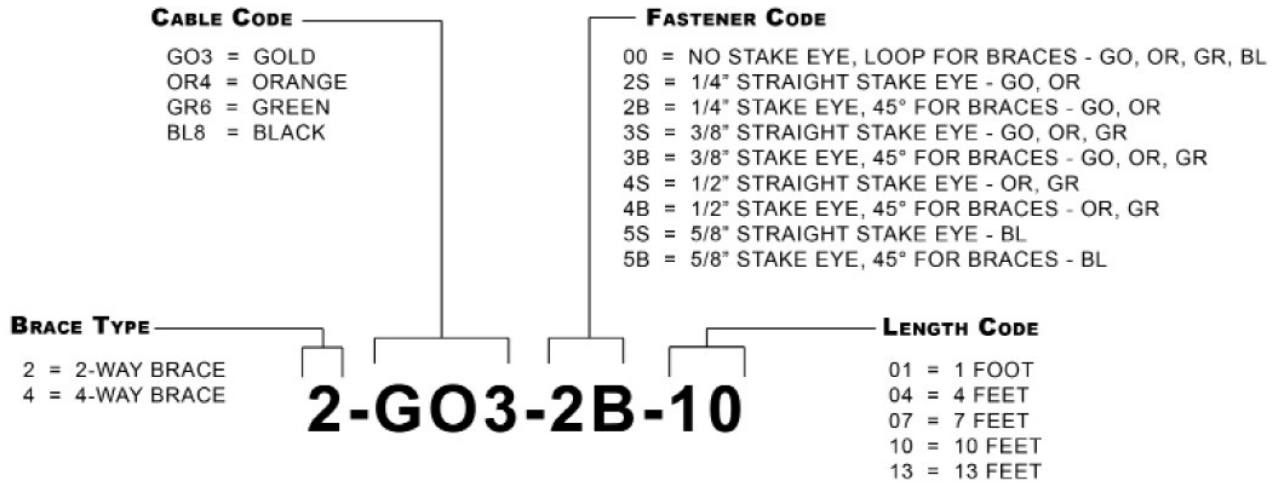


DESCRIPTION OF STANDARD CABLE KIT PART NUMBERS



DETAILED CABLE KIT PART NUMBERS

1. Choose your brace type:

Brace Type	Description	To Fit Cable	Fastener Code
2	Two-Way	All	All
4	Four-Way	All	00, 2B, 3B, 4B, 5B

2: Choose the cable that best fits your load requirement:

Cable Code	Description	Fastener Code
GO3	Gold, 600 lb. Load Rating	00, 2S, 2B, 3S, 3B
OR4	Orange, 1100 lb. Load Rating	00, 2S, 2B, 3S, 3B, 4S, 4B
GR6	Green, 2667 lb. Load Rating	00, 3S, 3B, 4S, 4B
BL8	Black, 4400 lb. Load Rating	00, 5S, 5B

3. Choose the fastener that best fits your requirement:

Fastener Code	Description	To Fit Cable
00	No Stake Eye, Loop	GO, OR, GR, BL
2S	1/4" Straight Stake Eye	GO, OR
2B	1/4" 45° Stake Eye	GO, OR
3S	3/8" Straight Stake Eye	GO, OR, GR
3B	3/8" 45° Stake Eye	GO, OR, GR
4S	1/2" Straight Stake Eye	OR, GR
4B	1/2" 45° Stake Eye	OR, GR
5S	5/8" Straight Stake Eye	BL
5B	5/8" 45° Stake Eye	BL

4. Choose desired brace length:

Length Code	Description	To Fit Cable
01	1 foot (+4 ft. extra)	All
04	4 feet (+4 ft. extra)	All
07	7 feet (+4 ft. extra)	All
10	10 feet (+4 ft. extra)	All
13	13 feet (+4 ft. extra)	All